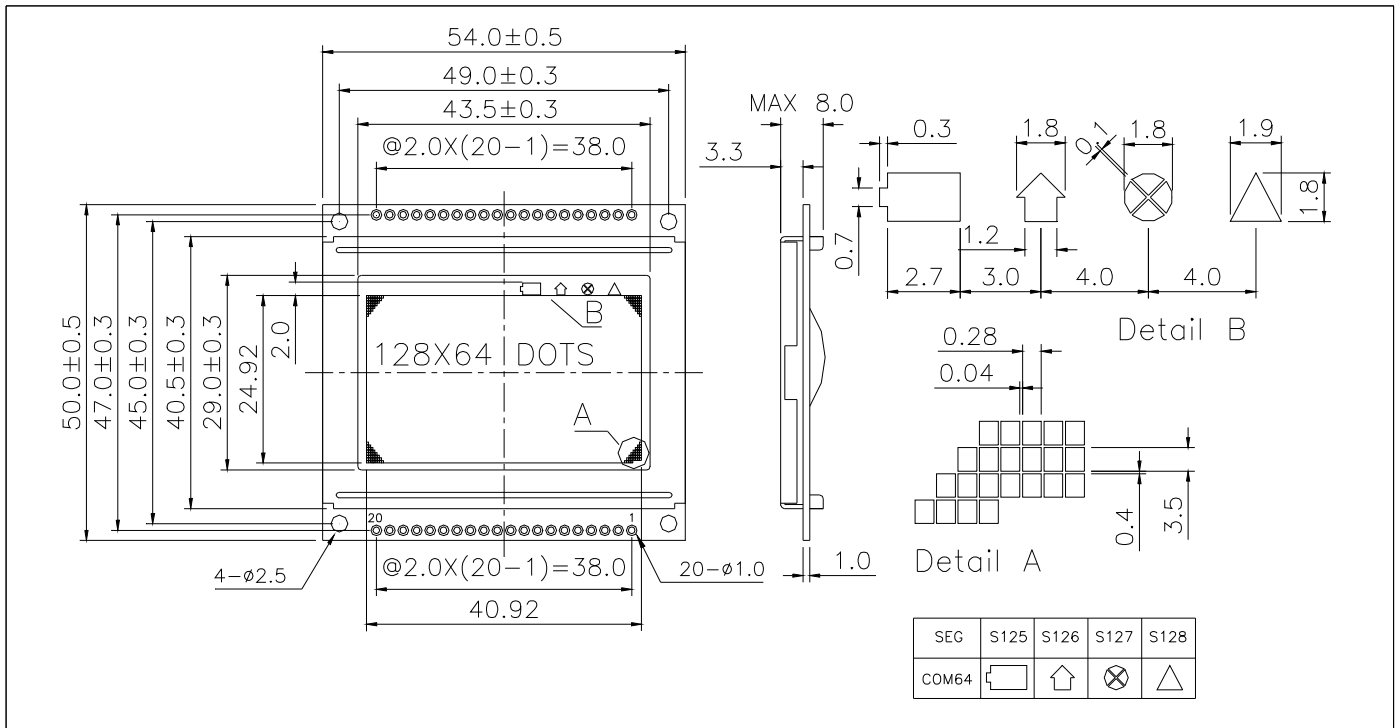


LG12864B-EW 128 x 64 dots + 4 icons + EL backlight



ABSOLUTE MAXIMUM RATINGS

Item	Symbol	Min.	Max.	Unit
Supply Voltage(Logic)	$V_{DD} - V_{SS}$	-0.3	7.0	V
Supply Voltage(LCD)	$V_{DD} - V_o$	-0.3	19.0	V
Input Voltage	V_i	-0.3	$V_{DD} + 0.3$	V
Operating Temp.	T_{opr}	-20	70	°C
Storage Temp.	T_{stg}	-30	80	°C

MECHANICAL DATA

Item	Nominal Dimensions	Unit
Module Size (W x H x T)	54.0 x 50.0 x 8.0	mm
Viewing Area (W x H)	43.5 x 29.0	mm
Dot Pitch (W x H)	0.32 x 0.39	mm
Dot Size (W x H)	0.28 x 0.35	mm
Weight	Approx. 22	g

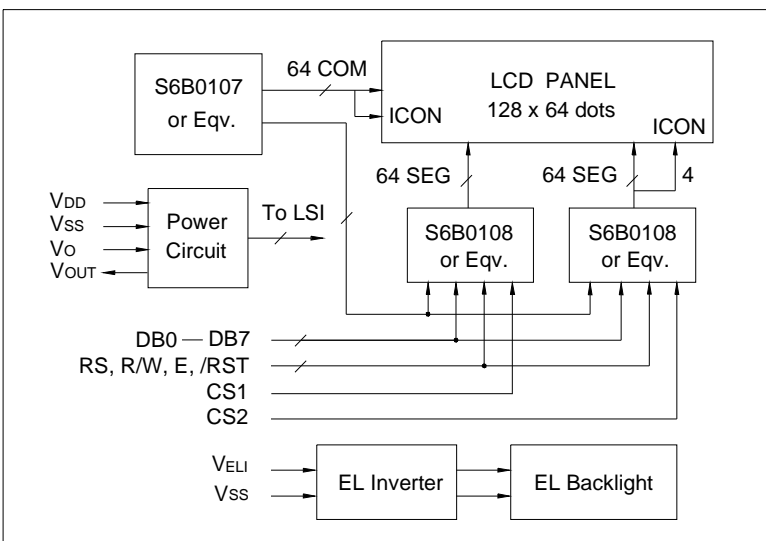
ELECTRICAL CHARACTERISTICS ($V_{DD}=5V \pm 0.25V$)

Item	Symbol	Test Condition	Min.	Typ.	Max.	Unit
Input High Voltage	V_{IH}	--	2.0	--	V_{DD}	V
Input Low Voltage	V_{IL}	--	-0.3	--	0.8	V
Output High Voltage	V_{OH}	$I_{OH} = -0.2mA$	2.4	--	V_{DD}	V
Output Low Voltage	V_{OL}	$I_{OL} = 1.6mA$	0	--	0.4	V
Supply Current	I_{DD}	$V_{DD} = 5.0V$	--	4.0	5.0	mA
LCD Driving Voltage	$V_{DD} - V_o$	$T_a = 25^\circ C$	--	11.2	--	V

PIN CONNECTIONS

Pin	Symbol	Level	Function
1	V_{SS}	0V	GND
2	V_{DD}	+5V	Power supply for logic
3	V_o	--	Operating voltage for LCD
4	RS	H/L	H : Data L : Instruction code
5	R/W	H/L	H : Read L : Write
6	E	H, H > L	Enable signal
7	DB0	H/L	Data bus line
8	DB1	H/L	
9	DB2	H/L	
10	DB3	H/L	
11	DB4	H/L	
12	DB5	H/L	
13	DB6	H/L	
14	DB7	H/L	
15	CS1	H	Chip selection for IC1, active "H"
16	CS2	H	Chip selection for IC2, active "H"
17	/RST	L	Reset signal, active "L"
18	V_{OUT}	-10V	Output voltage for LCD driving
19	V_{ELI}	+5V	Power supply for EL inverter
20	NC	--	No connection

BLOCK DIAGRAM



EL BACKLIGHT SPECIFICATIONS ($T_a=25^\circ C$)

Item	Symbol	Typ.	Max.	Unit
EL inveter input voltage	V_{ELI}	5.0	5.25	V
EL inveter input current	I_{EL}	20	30	mA
EL inverter output voltage	V_{ELO}	90	100	V_{RMS}