

ABSOLUTE MAXIMUM RATINGS

Item	Symbol	Min.	Max.	Unit
Supply Voltage (Logic)	V _{DD} - V _{SS}	-0.3	6.0	V
Supply Voltage (LCD)	V _{LCD} - V _{SS}	-0.3	17.0	V
Input Voltage	V _I	-0.3	V _{DD} + 0.3	V
Operating Temp.	T _{opr}	-20	70	°C
Storage Temp.	T _{stg}	-30	80	°C

MECHANICAL DATA

Item	Nominal Dimensions	Unit
Module Size (W x H x T)	100.0 x 85.0 x 12.5	mm
Viewing Area (W x H)	92.0 x 52.0	mm
Dot Pitch (W x H)	0.35 x 0.35	mm
Dot Size (W x H)	0.325 x 0.325	mm
Weight	Approx. 115	g

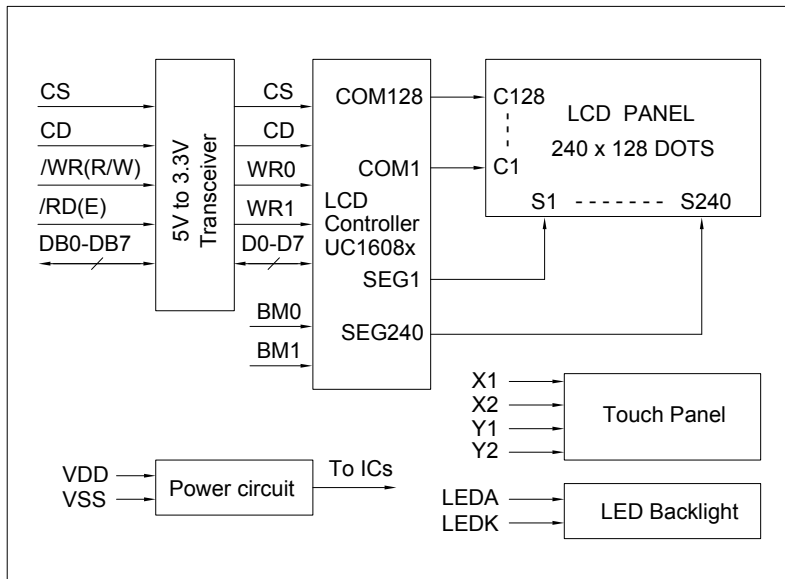
ELECTRICAL CHARACTERISTICS (V_{DD}=3.0V to 5.0V)

Item	Symbol	Test Condition	Min.	Typ.	Max.	Unit
Input High Voltage	V _{IH}	--	2.0	--	V _{DD}	V
Input Low Voltage	V _{IL}	--	0	--	0.8	V
Output High Voltage	V _{OH}	I _{OH} = -0.1mA	V _{DD} -0.2	--	V _{DD}	V
Output Low Voltage	V _{OL}	I _{OL} = 0.1mA	0	--	0.2	V
Supply Current	I _{DD}	V _{DD} = 5.0V	--	1.0	1.5	mA
LCD Driving Voltage	V _{LCD} -V _{SS}	T _a =25°C	--	15.2	--	V

PIN CONNECTIONS (CN1/CN2)

Pin	Symbol	Level	Function
1	V _{SS}	0V	GND
2	V _{DD}	3V-5V	Power supply for logic and booster
3	CD	H/L	H: Display data L: Instruction code
4	/WR(R/W)	H/L	/WR for 80 MPU, R/W for 68 MPU
5	/RD(E)	H/L	/RD for 80 MPU, E for 68 MPU
6	DB0	H/L	Data bus
7	DB1	H/L	
8	DB2	H/L	
9	DB3	H/L	
10	DB4	H/L	
11	DB5	H/L	
12	DB6	H/L	
13	DB7	H/L	
14	CS	H	Chip selection signal. Active "H".
15	LEDA	+5V	Power supply for LED backlight
16	LEDK	0V	
17	X1	--	Touch panel left side terminal
18	Y2	--	Touch panel bottom side terminal
19	X2	--	Touch panel right side terminal
20	Y1	--	Touch panel top side terminal
21-26	NC	--	No connection

BLOCK DIAGRAM



LED BACKLIGHT SPECIFICATIONS (T_a=25°C)

Item	Symbol	Typ.	Max.	Unit
Forward Voltage	V _f	3.1	3.3	V
Forward Current	I _f	90	--	mA
LED Color		White		