

DESCRIPTION

The PT5115 is a monolithic 4-Channel CMOS H-bridge motor driver. It can drive one stepper motor, two DCM and two coils. There also are several other flexible system solutions left to be utilized. The current consumption can be hold at quite low level during standby or operation. And the active power supply voltage range is from 2.7~5.5V. So the device is ideal for portable and battery powered applications.

The PT5115 is available in QFN24 (4mm × 4mm) package. Performance is specified for -20°C to +85°C temperature range.

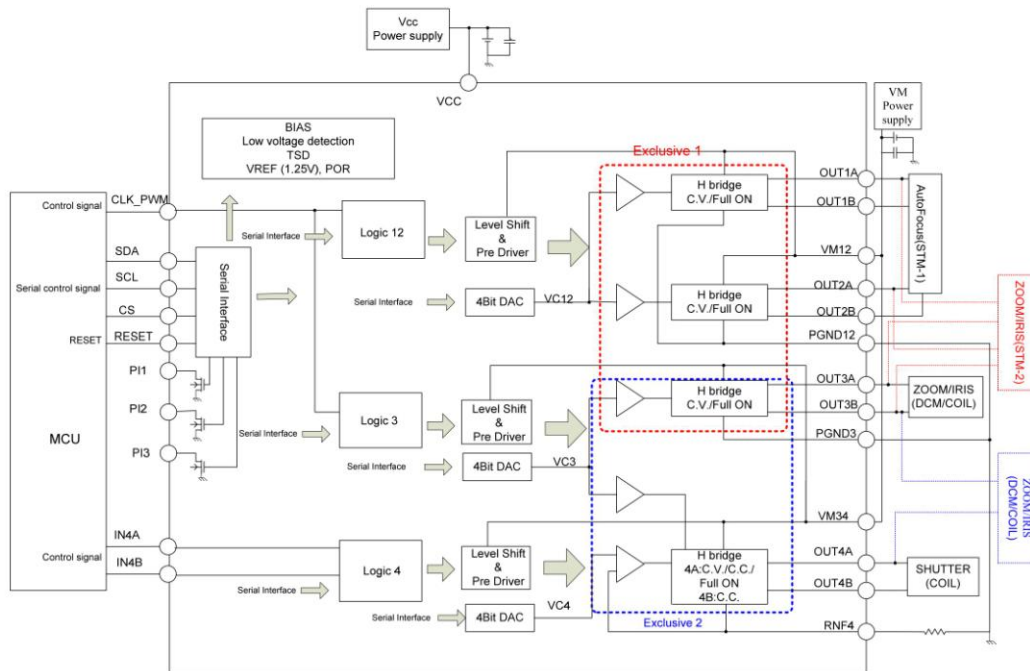
APPLICATIONS

- DSC

FEATURES

- Independent 4channel H-bridge, 3 full-swing drivers and 1 constant-current driver, all of those drivers with brake function.
- Versatile and flexible control mode - DC/stepper motor alternative, Full-swing/ Constant-Voltage/ Constant-Current selected
- Special Exclusive Control mode optional
- Constant-Voltage set by DAC: 1.8V~4.8V 0.2V/Bit Accuracy ± 5%
- Constant current set by DAC: 150mV~300mV 10mV/Bit Accuracy±5%
- Under voltage lockout circuit - Shut down the internal circuit at VCC=1.8V (Typ.)
- Thermal shut down circuit - Shut down the internal circuit at 150°C Hysteresis 30°C
- Available in small package QFN24 (4mm × 4mm)

BLOCK DIAGRAM



Notes:
1. FS=Full-swing
2. CV= Constant-Voltage
3. CC=Constant-Current